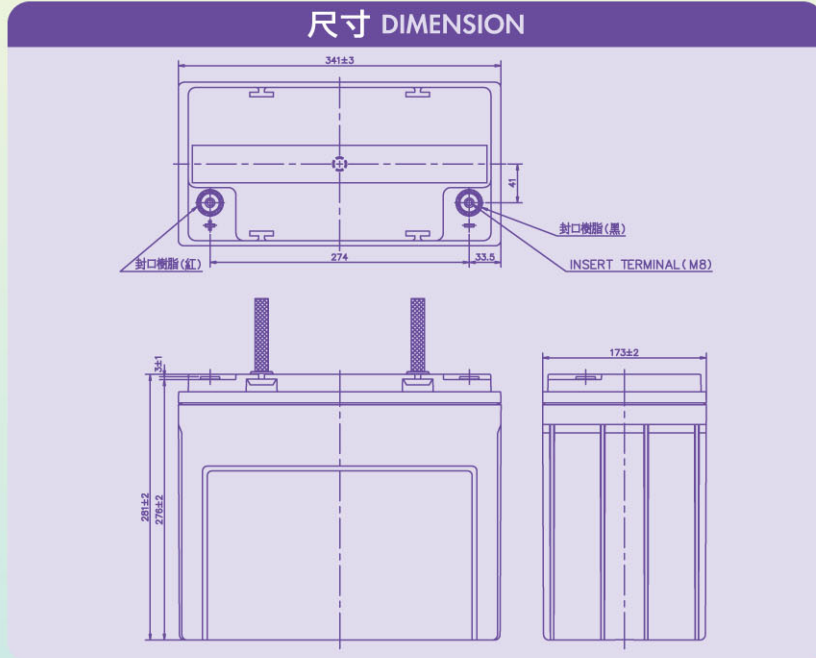


NPA155-12I FR



● 公稱電壓 Nominal Voltage : 12V

● 尺寸 Dimension

長度 Length : 341 ± 3mm

寬度 Width : 173 ± 2mm

高度 Height : 281 ± 2mm

● 重量 Weight (Approx.) : 48Kg

● 公稱容量 Nominal Capacity

20小時率 20HR · rate of 7.8A To 10.5V 155AH

● 內部阻抗 Internal Resistance : 3.5mΩ

● 最大充電電流 Max Charge Current : 35A (0.25CA)

最大放電電流 Max Discharge Current : 1000A (5秒)

● 浮充 Float Charging: 13.65 ± 0.15V

● 操作溫度範圍 Operation Temperature Range

-15°C To 50°C (5°F To 122°F)

● 保存溫度範圍 Storage Temperature Range

-15°C To 40°C (5°F To 104°F)

● 壽命 Expected Life (25°C)

10 years in floating charge

● 密閉構造 Sealed Construction

Can be operated, charged or stored in any position without leakage.

Can't be charged while the terminal is downward.

● 凹入及標準式端子 Insert Terminal : M8

● 電槽材質 Housing Material : Flame Retardant ABS (UL94-V0)

耐燃 / 氧氣指數 LOI 28.0%

整體型防爆裝置 Integral Flame Arrestor

極柱與電槽密封採用環氧樹脂 Epoxy Resin

● 用途 Applications :

電信、不斷電、警報、防災、照明、消防、太陽能、廣泛其他用途

Telecommunications, UPS, Alarm systems, Fire & security systems,

Emergency lighting, Engine starting, Solar powered systems, Utilities

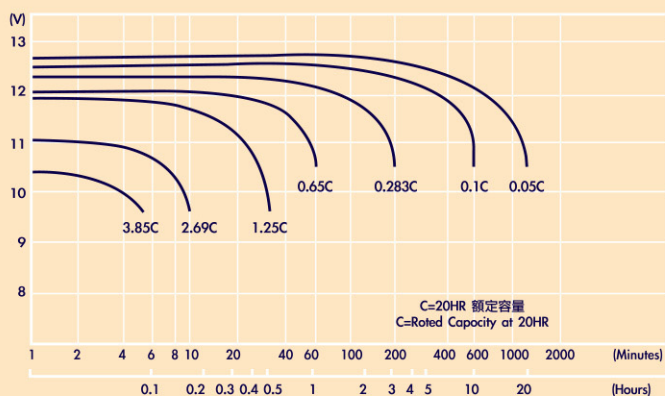
NPA155-12I FR PERFORMANCE DATA AT 25°C (77°F)-Amperes and watts

F.V.	Time	Minutes						
		5	10	15	20	30	45	60
10.98 (1.83)	W	4531	3460	2826	2372	1812	1366	1122
	A	397	300	242	201	153	114	92
10.80 (1.80)	W	5008	3830	3091	2589	1978	1458	1186
	A	453	335	266	224	167	124	98
10.50 (1.75)	W	5409	4123	3289	2767	2052	1518	1203
	A	494	363	288	240	176	129	102
10.20 (1.70)	W	5809	4536	3460	2853	2114	1539	1225
	A	529	386	304	248	182	132	104
10.02 (1.67)	W	6014	4458	3492	2880	2139	1557	1239
	A	554	399	310	252	185	133	105
9.60 (1.60)	W	6414	4636	3599	2945	2168	1580	1243
	A	600	421	318	258	188	134	106

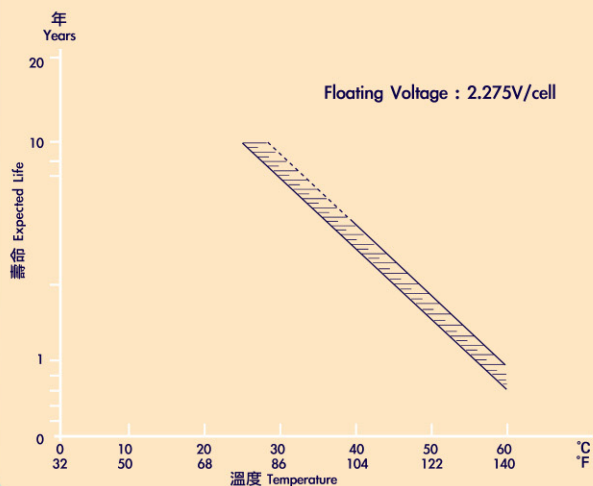
放電 DISCHARGING

放電特性 DISCHARGING CHARACTERISTICS

放電曲線 Discharging Characteristics Curves at 25°C

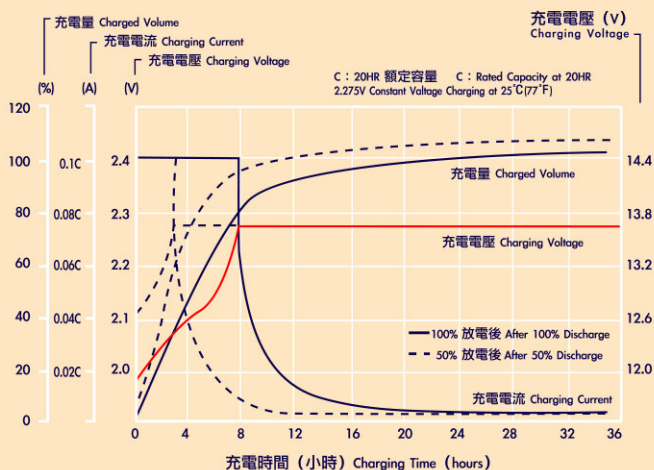


壽命特性 ACCELERATED LIFE CHARACTERISTIC



充電 CHARGING

充電特性 CHARGING CHARACTERISTICS



充電電壓 CHARGING VOLTAGE

